

Features

- ✓ Easy to insert
- ✓ 100% factory tested for sealing operation
- ✓ low headloss
- ✓ low cracking pressure
- ✓ External oring groove
- ✓ Spring loaded plunger

Check Valve External Dimensions

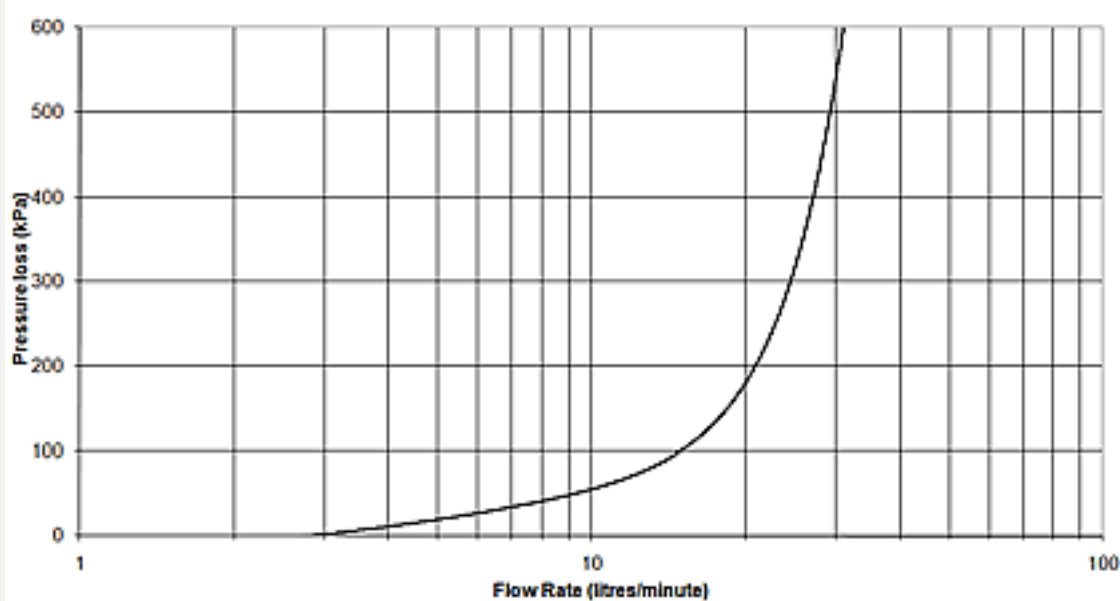
OD#1	9.80
ID	5.80
Height	10.40

Materials

Outer Cap	Acetal
Inner Core	
Plunger	PP
Body	Acetal
Spring	304 S/S
Seal	Santoprene
O'ring	EPDM 5711

FLOW RATE CURVE

Pressure Loss Single Check OF10P



Certification

Potable Water

Performance

Technical Data

Service Temperature

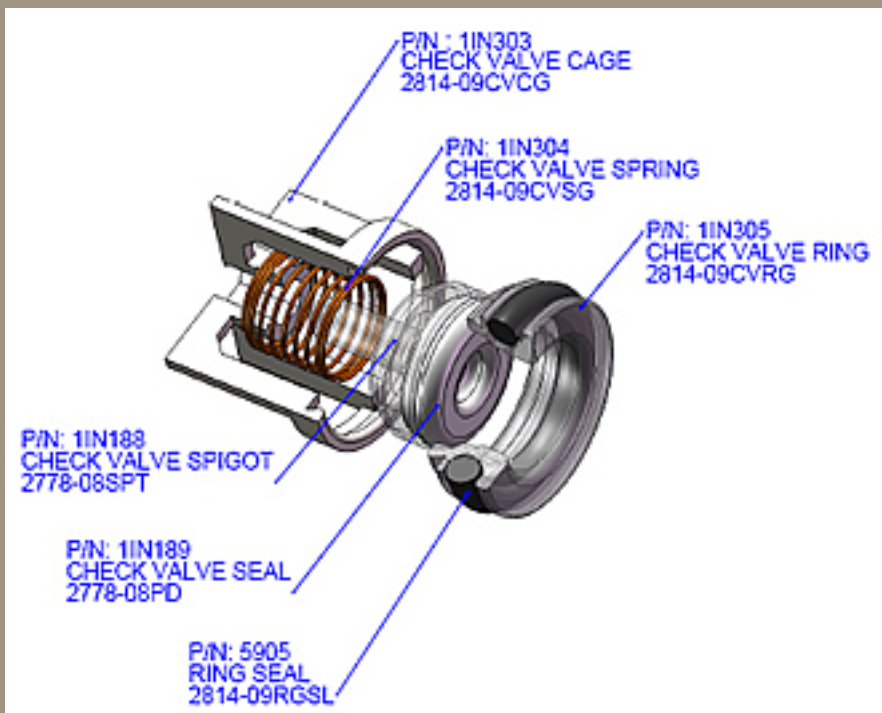
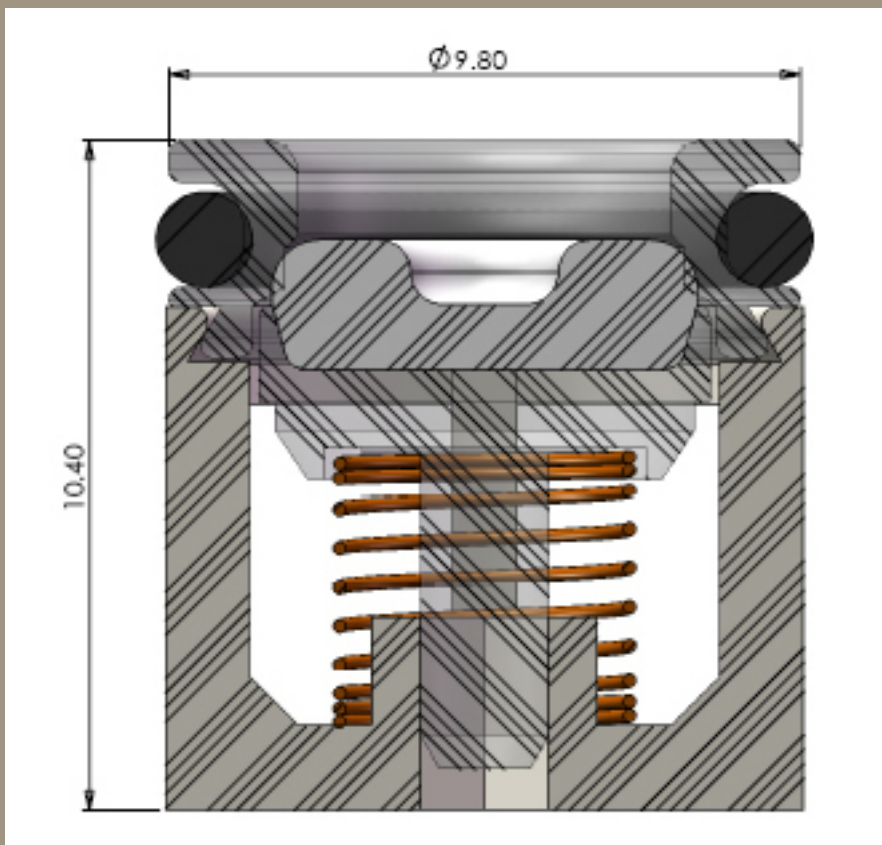
Max C	40
Min C	0

Service Pressure

Max Kpa	500
Min Kpa	0

Fluid Clean water

Opening Pressure



Features

- ✓ Easy to insert
- ✓ 100% factory tested for sealing operation
- ✓ low headloss
- ✓ low cracking pressure
- ✓ External oring groove
- ✓ Spring loaded plunger

Check Valve External Dimensions

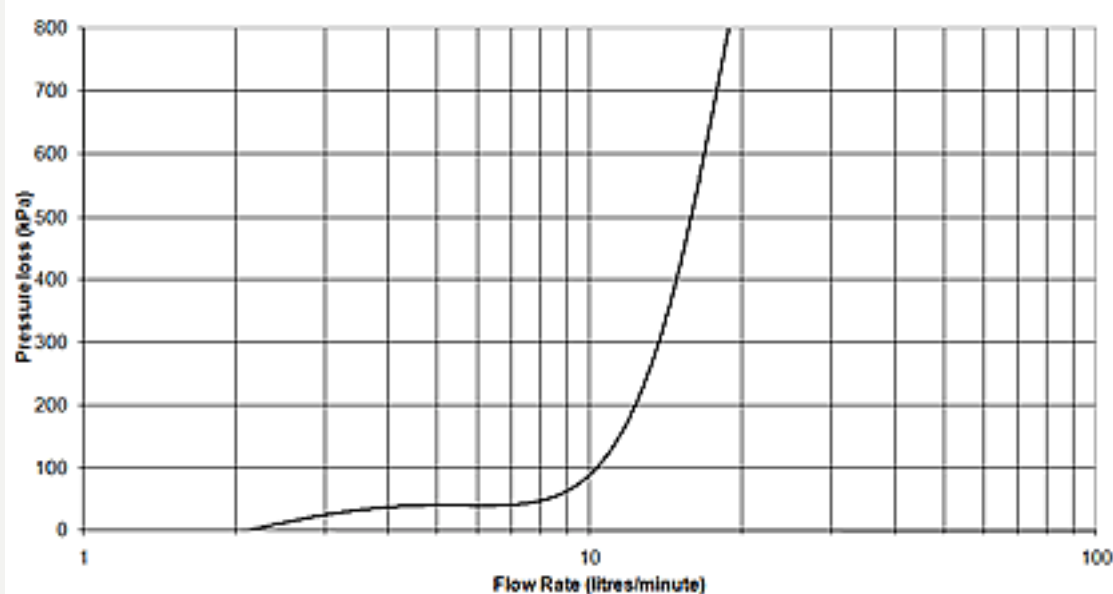
OD#1	10.00
ID	5.80
Height	10.50

Materials

Outer Cap	
Inner Core	PP
Plunger	PP
Body	PP
Spring	316 S/S
Seal	Santoprene
O'ring	EPDM 5711

FLOW RATE CURVE

Pressure Loss Single Check DW10PP



Certification

Potable Water

Performance

Technical Data

Service Temperature

Max C	40
Min C	0

Service Pressure

Max Kpa	500
Min Kpa	0

Fluid Clean water

Opening Pressure

